



ITT

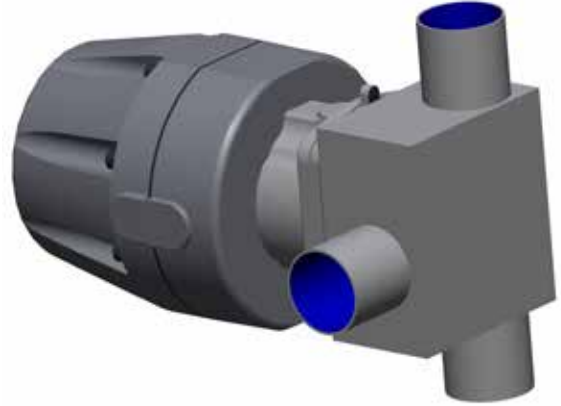


Triplex Sales
1-847-839-8442
www.triplexsales.com

Pure-Flo® Zero Static Block Body with Vertical Run (ZSBV)

Zero Static use points are some of the most critical valves utilized in the Biopharmaceutical industry. Use point valves allow process fluids to be transferred, sampled, drained or diverted with minimal impact on critical systems such as WFI and purified water.

Standard Zero Static valves are limited to horizontal main runs by vertical outlet orientations. The ZSBV greatly expands the use of the Zero Static valve by allowing optimal drainability and hold up volumes with the main run in the vertical orientation and the outlet in the horizontal orientation.



Typical Applications

- Vertical run use point, sampling and diverting

Specifications

Standard Sizes:

- 0.25" - 2" (DN 8 - 50) Valve size
- 0.5" - 4" (DN 15 - 100) Run size
- Other sizes available upon request

Materials:

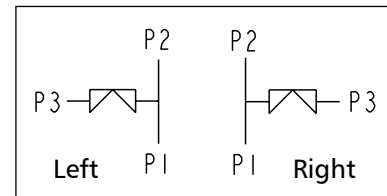
- 316L ASTM - A479
- DN 177440, 1.4435
- AL6XN
- Hastelloy C-22 & C-276
- Other materials available upon request

Standard End Connections:

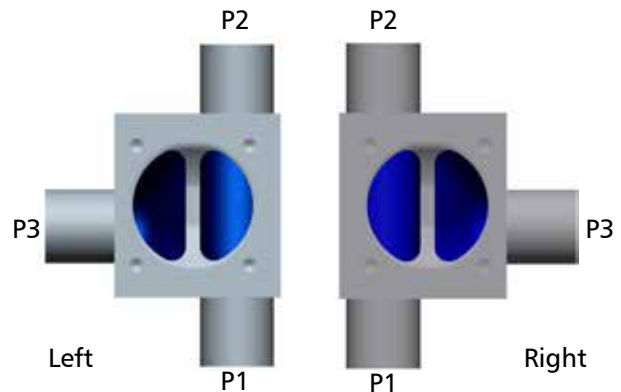
- 14, 16, 18, 20 Gauge OD tubing
- DIN/ISO
- Tri-Clover Tri-Clamp®
- Others available upon request

Available with Zero Static Tee on U-Bend

Compatible with standard Pure-Flo topworks: See PFTOP for details on available manual bonnets or actuator.



Flow Path



TRIPLEX
Sales Company

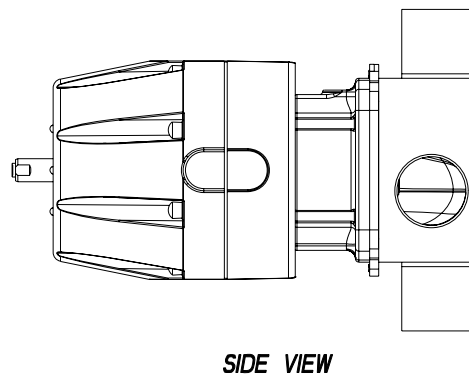
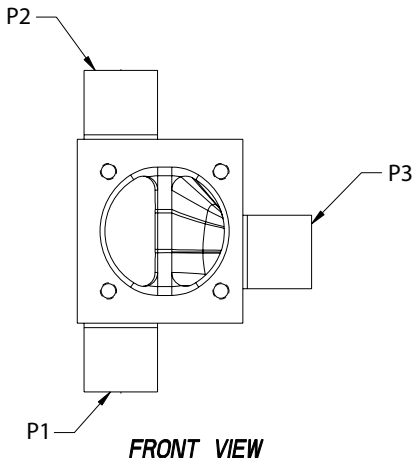
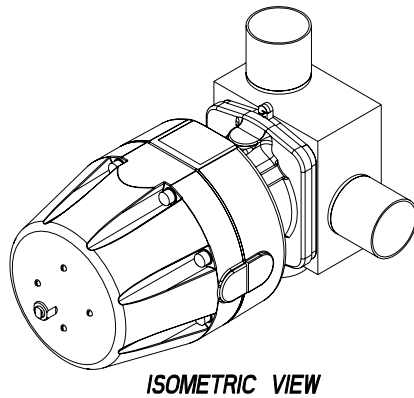
How to Order a Zero Static Block Body with Vertical Run

ZSBV with a 2" wrought stainless steel main valve with Tri-Clamp end connection and a 2" tube with buttweld ends, 25 Ra interior finish, standard exterior finish (Scotch Brite).

Figure Number: ZSBV-R-2-428-2-X28-W-6-1-0

Configuration Example		ZSBV	R	2	428	2	X28	W	6-1-0
Valve Body	Block Type	ZSBV	R						
	Left or Right Option		R						
	Valve Size ²			2					
	Body End Connection				428				
	Zerostatic Tube Size					2			
	Zerostatic Tube End Connection						X28		
	Body Material							W	
	Polish Selections								6-1-0

To add topworks, see BBTOP. For additional figure numbers, see PFORD.



Please contact ITT Engineered Valves for the latest drawing and dimensional information. The above drawing should only be used as a general reference.

ITT Engineered Valves
33 Centerville Road
Lancaster, PA 17603, USA
Tel: +1 (717) 509-2200
Cam-Line, Cam-Tite, Dia-Flo,
EnviZion, Pure-Flo, Skotch

ITT Engineered Valves
1110 Bankhead Avenue
Amory, MS 38821, USA
Tel: +1 (662) 256-7185
Fabri-Valve

ITT Bornemann GmbH
31683 Obernkirchen
Germany
Tel: +49 5724 390-0
EnviZion, Pure-Flo

